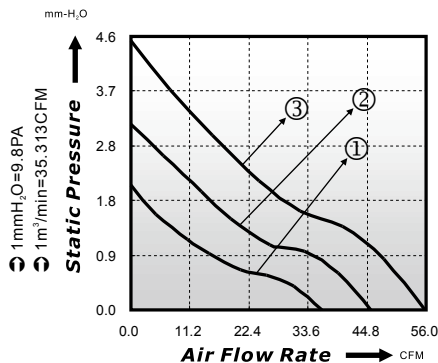


92x92x15mm

Model A

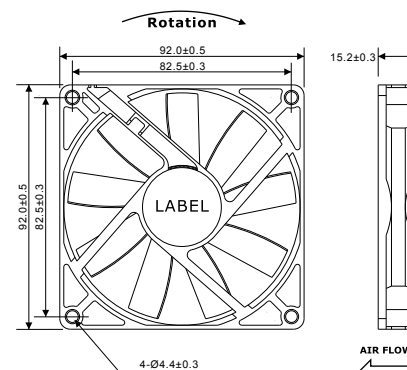


P-Q Curve (At Rated Voltage)



Dimensions Drawing

Unit: (mm)



Model No	Bearing (*)	Rated Voltage (VDC)	Rated Current (A)	Power Consumption (Watts)	Speed (rpm)	Air Flow (CFM)	Static Pressure (mmH ₂ O)	Noise (dBA)	Curve
ED09215-05L*	○ ● ⊖	5	0.35	1.75	2000	36.25	2.10	29.90	1
ED09215-05M*	○ ● ⊖	5	0.50	2.50	2500	45.54	3.12	36.00	2
ED09215-12L*	○ ● ⊖	12	0.20	2.40	2000	36.25	2.10	29.90	1
ED09215-12M*	○ ● ⊖	12	0.35	4.20	2500	45.54	3.12	36.00	2
ED09215-12H*	○ ● ⊖	12	0.55	6.60	3000	55.76	4.53	40.30	3
ED09215-24L*	○ ● ⊖	24	0.20	4.80	2000	36.25	2.10	29.90	1
ED09215-24M*	○ ● ⊖	24	0.30	7.20	2500	45.54	3.12	36.00	2
ED09215-24H*	○ ● ⊖	24	0.40	9.60	3000	55.76	4.53	40.30	3

* Bearing Type: ○ Sleeve ● Two Ball ⊖ Hydro-Dynamic